

PHOBOS

PHOBOS P935067 00002



PHOBOS: recommended control panel:
ALTAIR

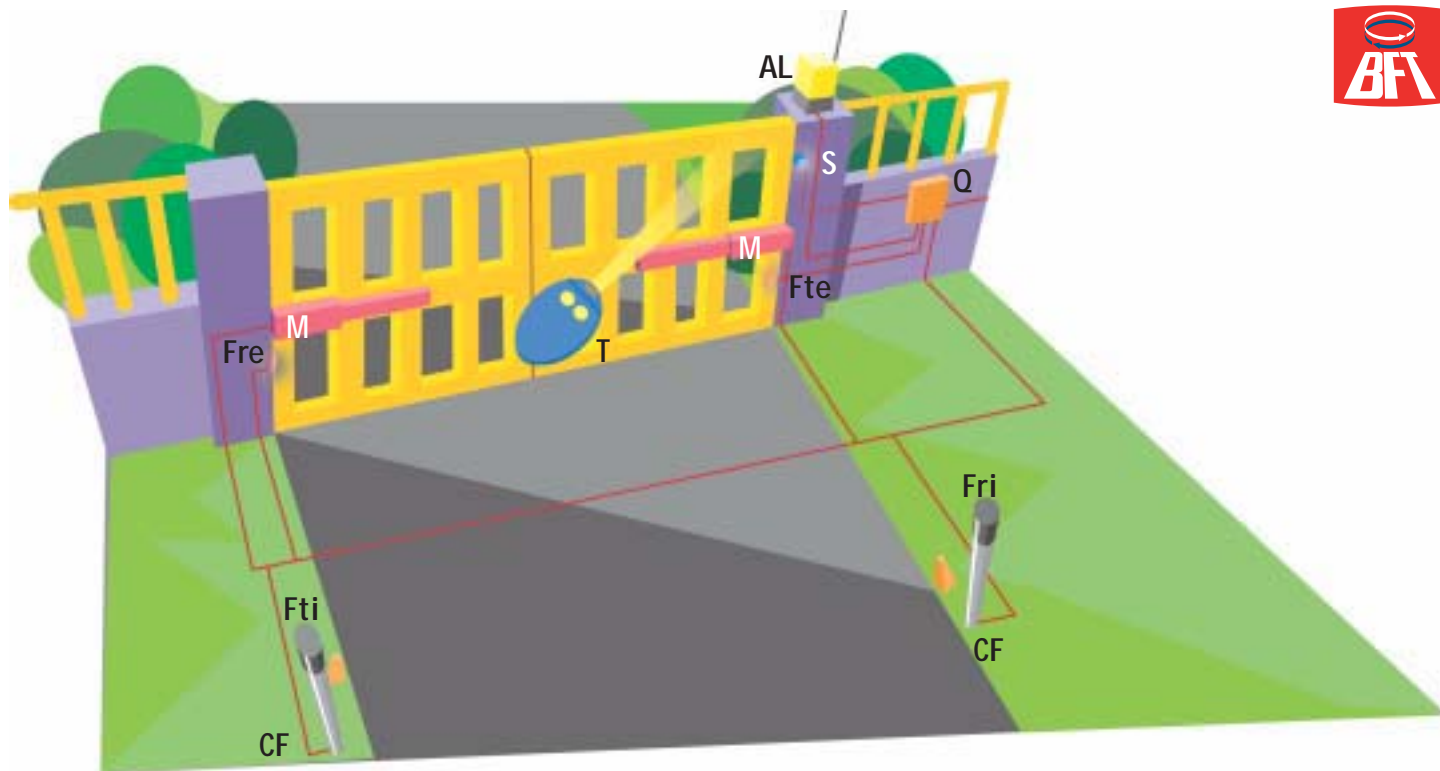
Available as a kit: PHOBOS KIT

- Easy installation and new design, the irreversible gearmotor featuring PHOBOS.
- Simple and safe release by means of a BFT key.
- Worm screw protected against bad weather conditions.



Operators	PHOBOS
Single-phase power supply	230V \pm 10%, 50 Hz
Absorbed power	210W
Thermal protection	Integrated
Max. leaf weight	2500 N (~250 kg)
Max. leaf length	1,80 m
Rod working stroke	280 mm
Rod speed	12 mm/sec
Opening or closing time	20 sec
Impact reaction	Electronic clutch on control panel
Type lock	mechanical on closing and opening
Manual manoeuvre	release key
N° manoeuvres in 24 hours	60
Environmental conditions	from -20°C to +60°C
Degree of protection	IP 44
Operator weight	50N (~5 kg)
Dimensions	see drawing

Electromechanical operator for swing gates, leaf length up to 1,80 m, leaf weight up to 250 kg, residential use

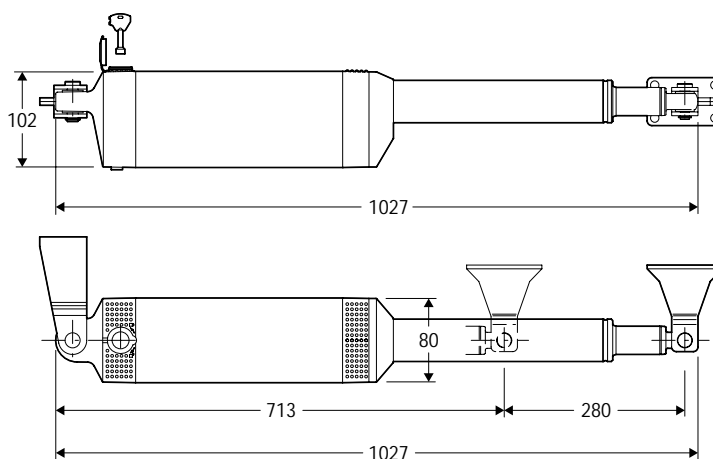


Example of Installation

- M irreversible electromechanical operator PHOBOS
- Q control board Altair with built-in rolling code clonable receiver
- T double-channel rolling code transmitter, Mitto 2 12V
- Ftx-Frx Pair of photocells Cellula130
- CF Pair of photocell posts, CC130
- AL blinker with antenna
- S key selector, Intro

• For system layout and installation conditions, refer to the standards and laws in force in the country of installation.

Dimensions



Main characteristics

Irreversible type electromechanical operator for the automation of swing leaf gates for residential use • PHOBOS is provided with a worm screw fully protected by an aluminium cylinder • electric torque limiter on the control panel • key release • recommended control panel: ALTAIR model • Main specifications: supply 230 V \pm 10%, 50Hz • power 210W • rod speed 12mm/sec • rod stroke 280mm • maximum thrust 2000N • max leaf weight 2500N • max leaf length 1800mm.