



STANDARD: SWARCO FUTURIT's successful traffic signal generation

STANDARD

THE UNIVERSAL TRAFFIC SIGNAL HEAD

SWARCO FUTURIT, the world leader in the development and production of traffic signal head technology, demonstrates that well developed design concepts are hard to improve. STANDARD - our first ever polycarbonate traffic signal head launched many years ago and progressively enhanced over time - remains the state of the art standard in many countries due to its robust design, reliability, and universal usability. Installations around the globe include a variety of applications in road, rail, waterways and other areas. STANDARD can be supplied with different types of light sources and electronics including incandescent, halogen or LED optics.

STANDARD: PROVEN QUALITY – BY REPUTATION

Manufactured using UV-stabilized polycarbonate, SWARCO FUTURIT's STANDARD signal is particularly resistant to mechanical stress, adverse weather conditions and solar radiation. Customers appreciate the flexible fixing options combined with the robust signal body design. STANDARD is easy to maintain and renowned for its classic ageless design.



STANDARD: flexibility with regard to dimensions, colors and aspect combinations

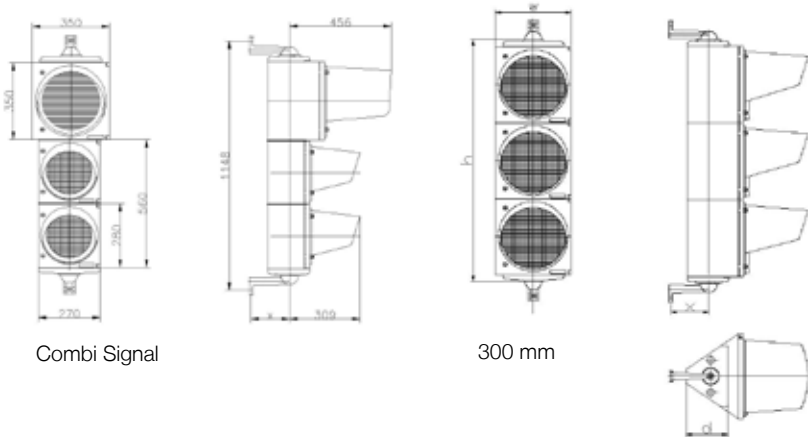
KEY BENEFITS

With its optical system adapted for optimum light intensity, STANDARD is another well proven contribution to traffic safety.

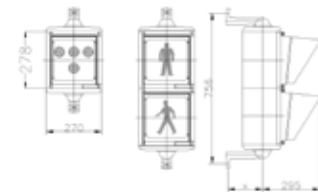
- available in Ø 210 mm and Ø 300 mm
200 mm x 200 mm square
combi signals of all dimensions
- lowest power consumption and brilliant light output
when combined with FUTURLED
- proven technology
- longevity and robustness
- easy access for maintenance
- modular lens filter system adapted to minimize phantom light
(honey comb filter)
- any type of lens with customized symbols can be
delivered on request
- vertical and horizontal mounting

SWARCO FUTURIT is the world's no. 1 manufacturer of high quality traffic signals.

TECHNICAL DETAILS: STANDARD – TRAFFIC SIGNAL



DIMENSIONS		
Lens diameter	Number of aspects	w / h / d [mm]
210 mm	1	270 / 346 / 187
	2	270 / 626 / 187
	3	270 / 906 / 187
300 mm	1	350 / 434 / 187
	2	350 / 788 / 187
	3	350 / 1.142 / 187



TECHNICAL DETAILS

Material	UV-stabilized polycarbonate
Diameters / square	210/300 mm aspects: 1, 2, 3 as standard; more aspects on request 200x200 mm
Optic	spiderweb lens, spiderweb lens with lens pattern centre, wide angle lens, special shapes for various applications
Impact resistance	High (Class IR3 acc. to EN 60598-1)
Ingress protection	Water- and dust-proof (IP54) – EN 60529
Certified	in accordance with EN12368 CE certification obtained
Protection classification	Class II – double or reinforced insulation

TECHNICAL DETAILS

Housing colours	<ul style="list-style-type: none"> pebble-grey (■ RAL 7032) fir-green (■ RAL 6009) black (■ RAL 9005) orange (■ RAL 2000) silver-grey (■ RAL 7001) <p>other colours on request; combinations available</p>
Mounting / Backing Board	<p>Two point fixing/mounting by means of brackets in different lengths of 105 mm, 183 mm, 240 mm, for L-shaped brackets as well as for T-shaped brackets (brackets in customized lengths available).</p> <p>Two point fixing /mounting on cantilever bracket backing.</p> <p>Boards can be easily fixed at the rear side of the housing.</p>
Electrical	FuturLED modules (see separate folder); High voltage E27, B22; Low voltage Ba20S, PKX 22s
Optic	Depending on light source used - spiderweb lens, spiderweb lens with lens pattern center, wide angle lens. Phantom light reducing lens filter systems.

YOUR LOCAL CONTACT



SWARCO FUTURIT

SWARCO FUTURIT is the leading global player in LED-based signalling technology. The company specialises in traffic lights, variable message signs, street lighting, in-road markers and railway signals using the very latest developments in light emitting diode (LED) technology offering ecological friendliness and the advantages of low failure rate, energy-saving and a long operating life.

Customers in over 60 countries around the world rely on the outstanding quality of SWARCO FUTURIT products, made in Austria to the highest standards and supporting road safety and improved traffic flows.