



# VIRGO



Recommended control panel  
LINX

Only available as a kit:  
VIRGO KIT

- Compact shape with minimum dimensions and articulated arm.
- Versatile installation even on small pillars.
- Maximum anti-squash safety guaranteed by a special electronic device, adjustable for each motor, and inverts the direction in case of obstacles in opening and closing.
- The irreversible operator, fitted with mechanical stops, keeps the gate locked in the open or closed position.
- Features of control panel, with integrated receiver and limit switches for both directions of travel, assuring safety and quality.
- Phototest function that automatically checks correct photocell operation.
- Easy programming thanks to a control unit fitted with a three-key display panel.
- Slowdown may be set at 3 different speeds during both opening and closing (from the built in control panel).



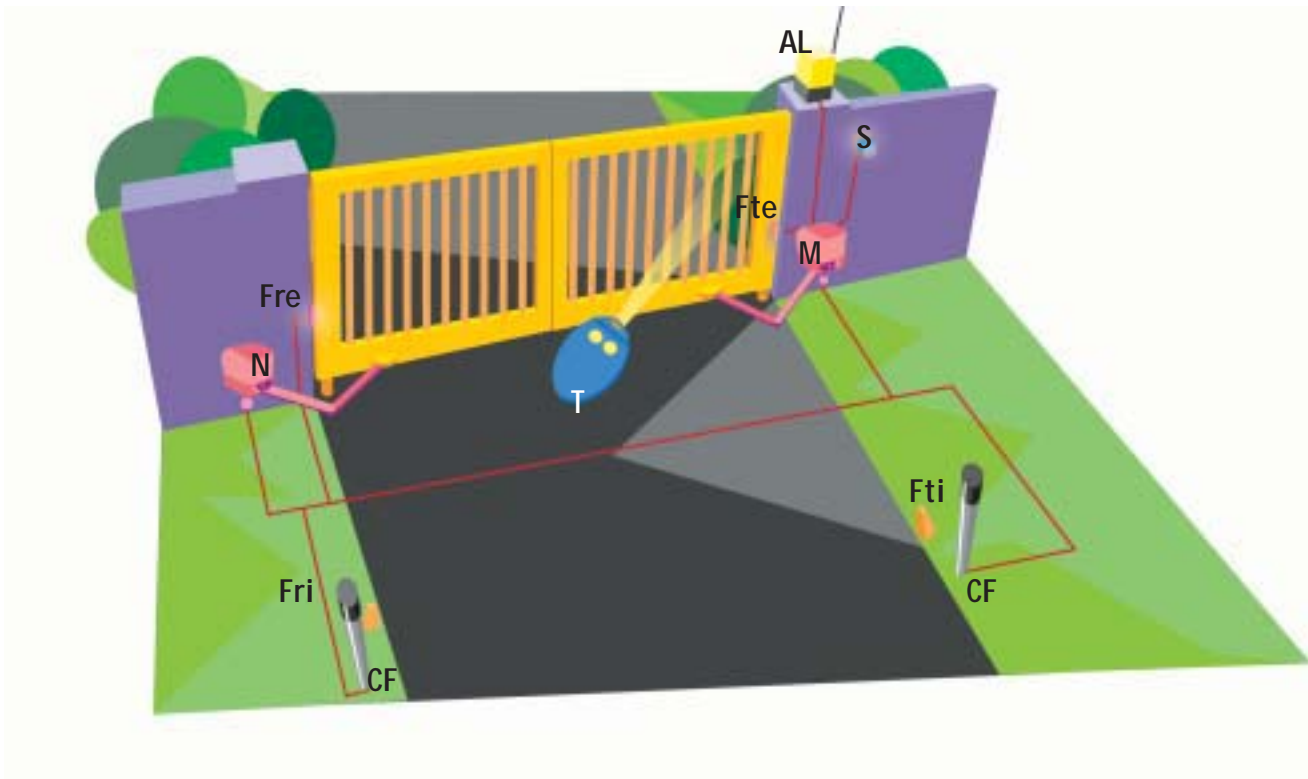
## Operator

## VIRGO

Power supply	24Vdc
Absorbed power	40 W
Max. leaf length/weight	2 m/2000N (~200 kg)
Leaf rotation speed	6°/s. ~
Impact reaction	torque limiter on control panel
Manoeuvre manuelle	release lever with CLS key
No. of manoeuvres in 24 hours	60
Environmental conditions	from -15to + 60C°
Degree of protection	IP 44
Actuator weight	VIRGO 80 N (~8 kg) - VIRGO SQ 60 N (~6 kg)
Dimensions	see figure



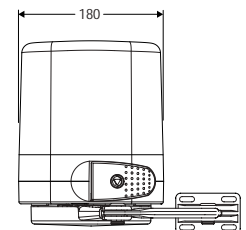
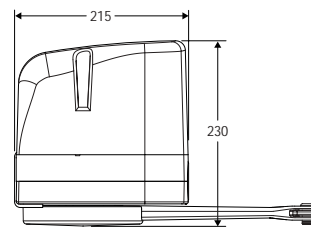
# Electromechanical operator for swing gates, leaf length up to 2 m, leaf weight up to 200 kg, residential use



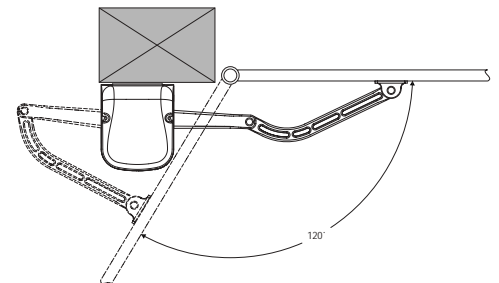
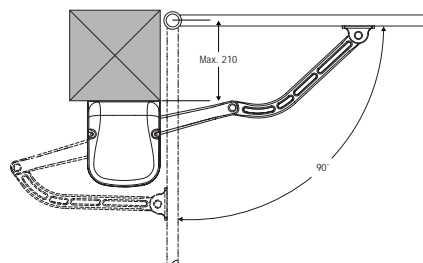
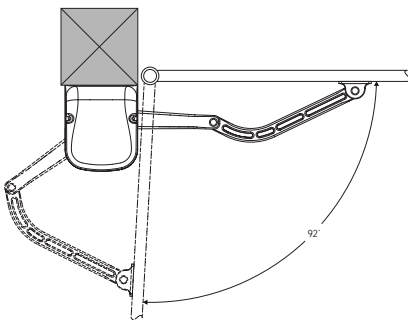
## Example of installation

## Dimensions

- M electromechanical self locking operator VIRGO with built in control panel and receiver
- N electromechanical self locking operator VIRGO SQ
- T double-channel rolling-code transmitter, MITTO 2 12V
- Ftx-Frx pair of photocells, CELLULA130
- CF pair of posts, CC130
- AL blinker 24V with antenna
- S key selector, INTRO



• For system layout and installation conditions, refer to the standards and laws in force in the country of installation.



## Main characteristics

Irreversible type electromechanical operator for the automation of swing leaf gates for residential use • VIRGO is provided with an articulated arm, electric torque limiter on the control panel, limit devices on opening and closing • control panel incorporated LINX • back up battery kit (optional)  
 • Main specifications: supply 24 VDC • power 40W • leaf speed 6 degrees/s • maximum torque 320N • max leaf weight 2000N • max leaf length 2000mm